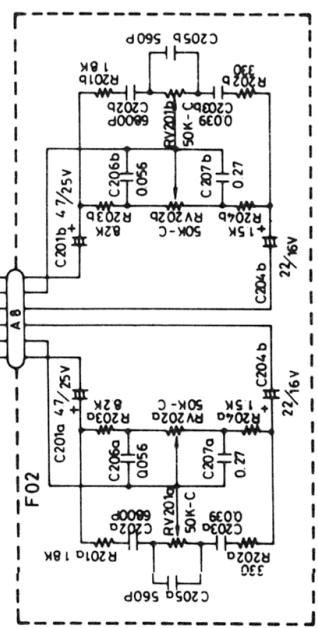
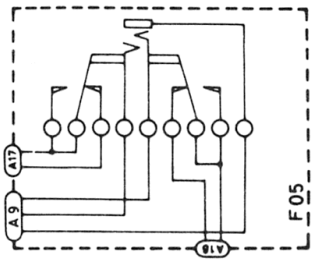


D119a, b 1S1553
D120a, b 1S1553



- Remarks**
1. Unless otherwise specified, all resistors are in OHM 1/4 watt. all capacitors in micro farad.
 2. Transistors and diodes may be replaced with any type having comparable ratings.
 3. Due to continued improvements LUX reserve the circuit or specifications.

