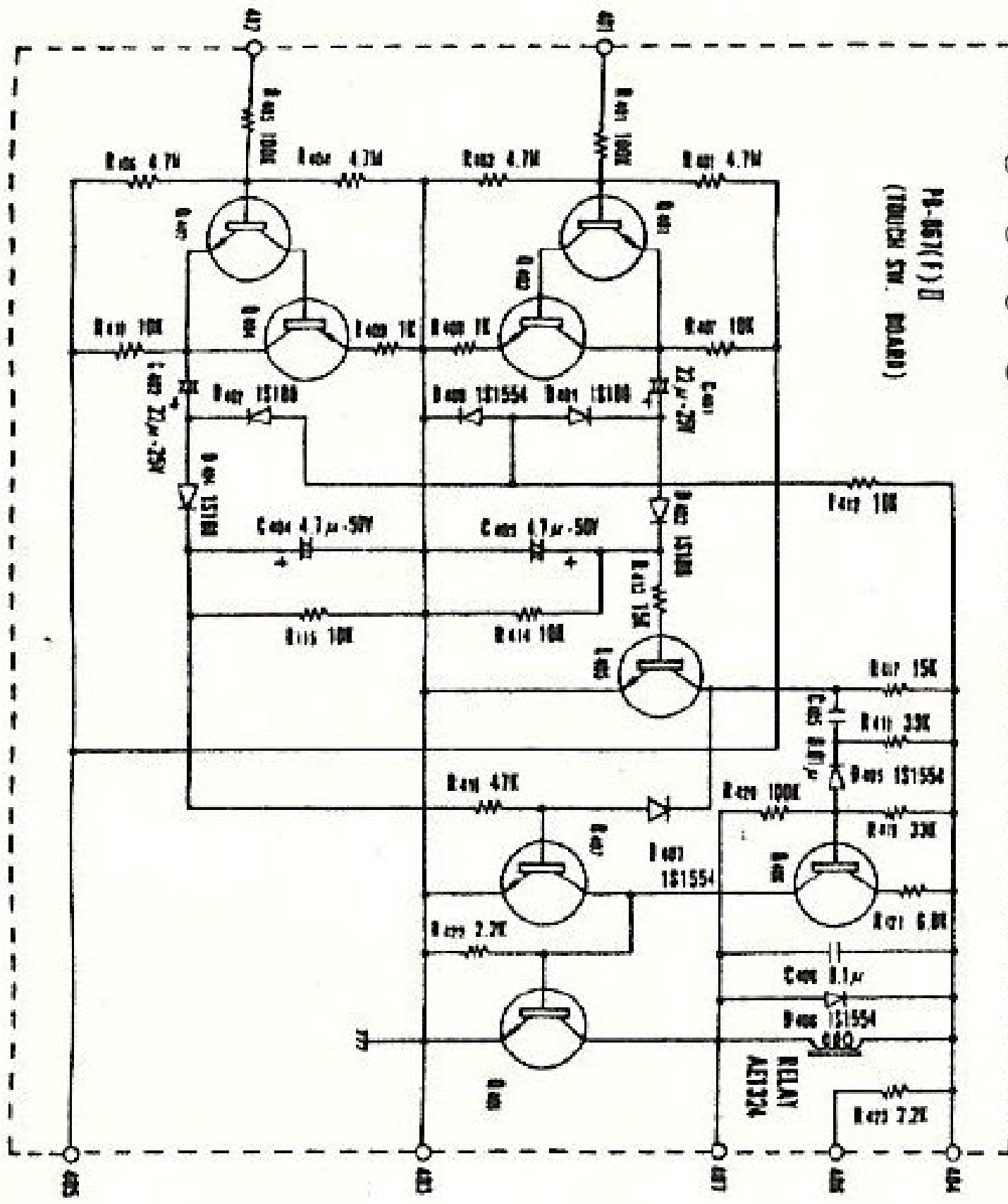
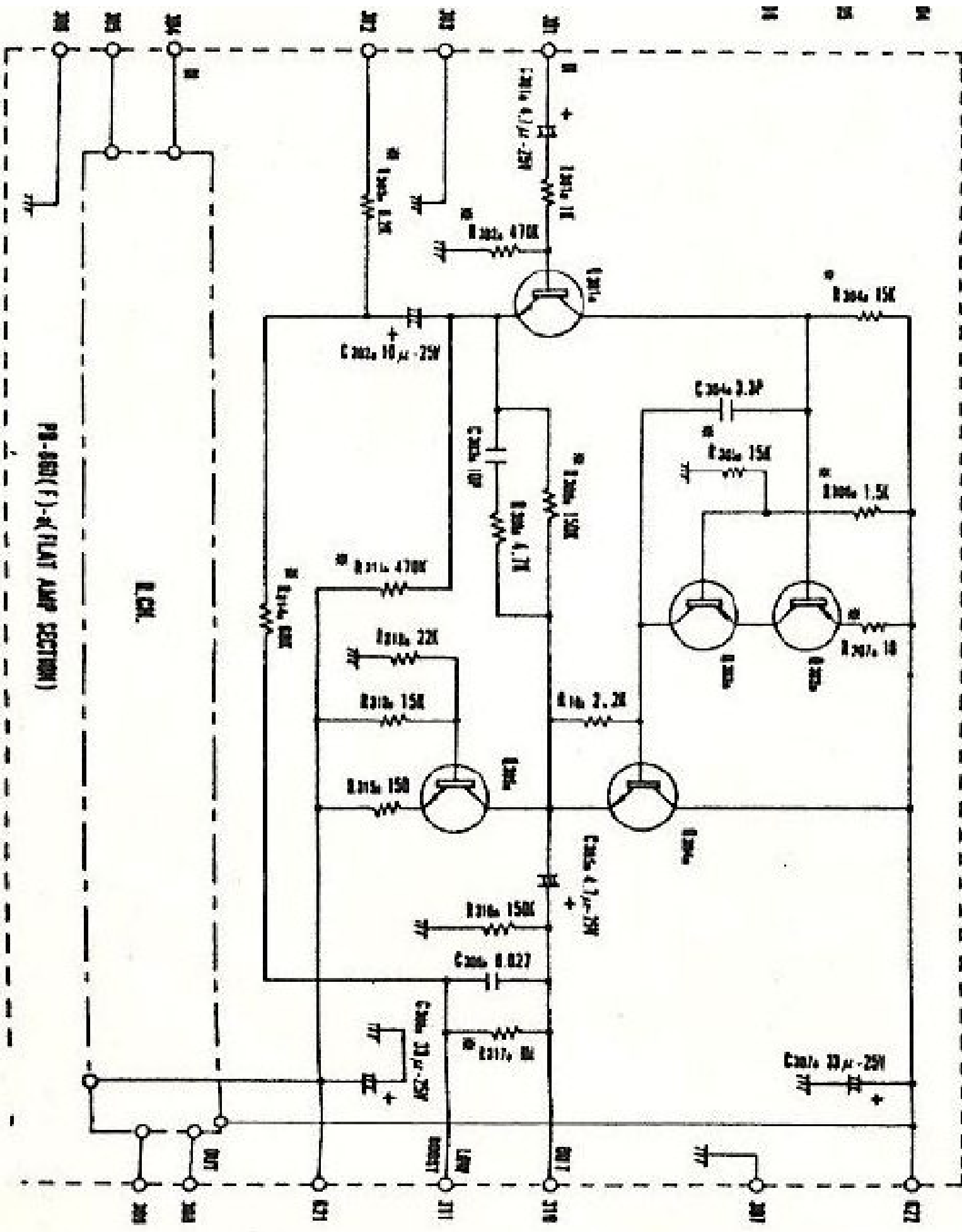


PA-057(F) II
(TOUCH SW. BOARD)

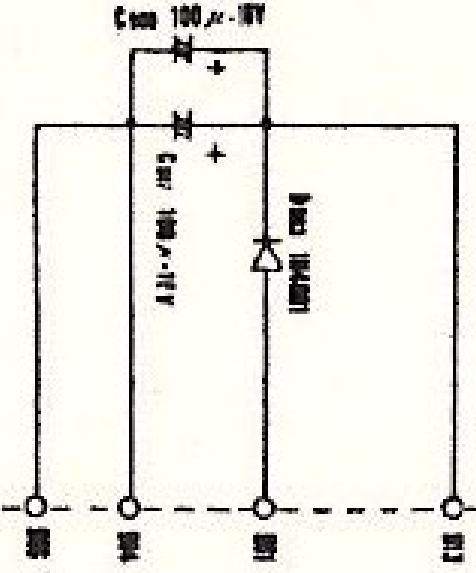
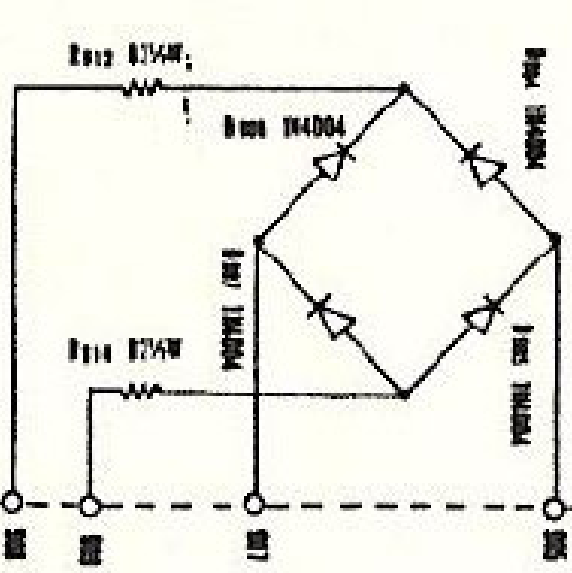
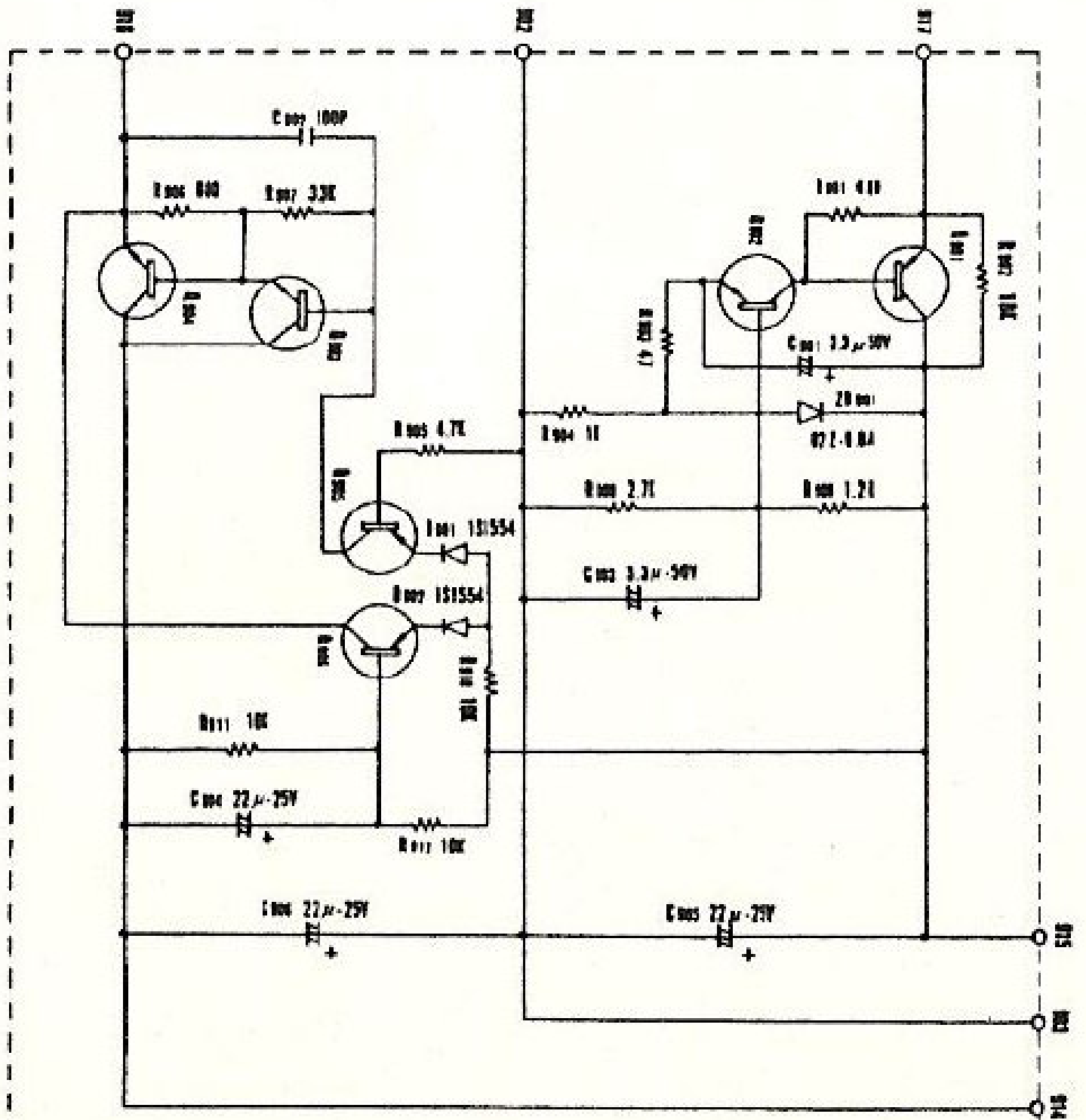




PB-880(F)-4 (FLAT AMP SECTION)

150K

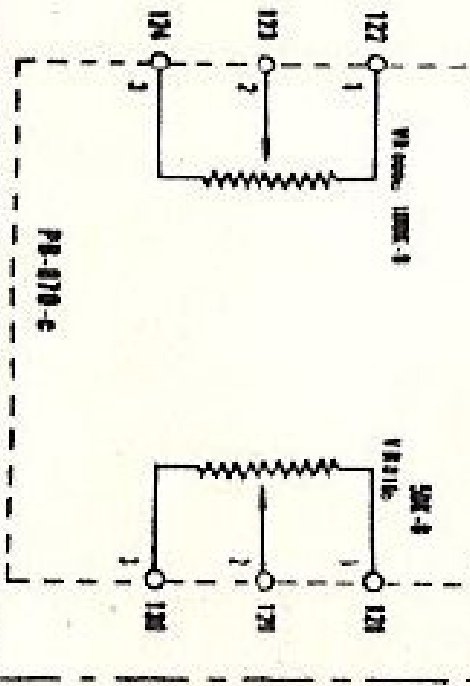
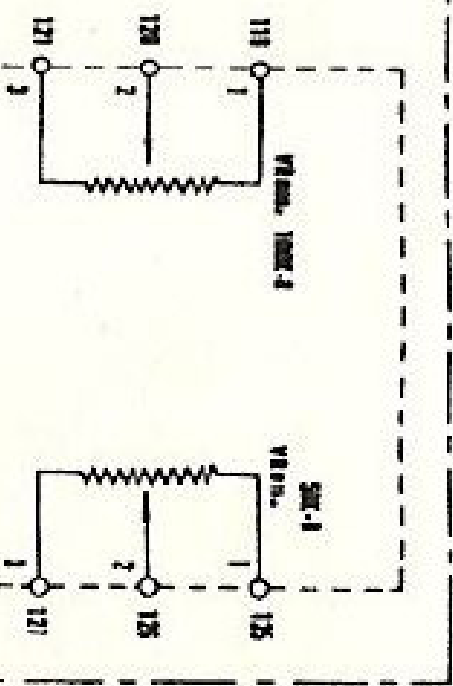
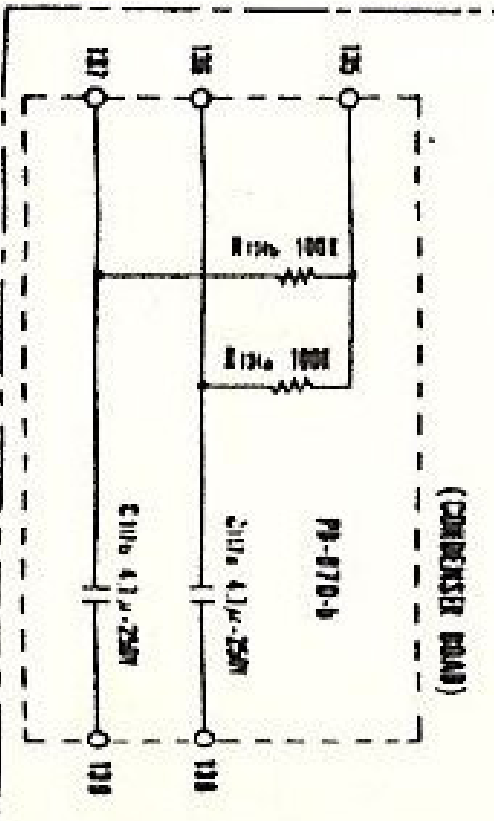
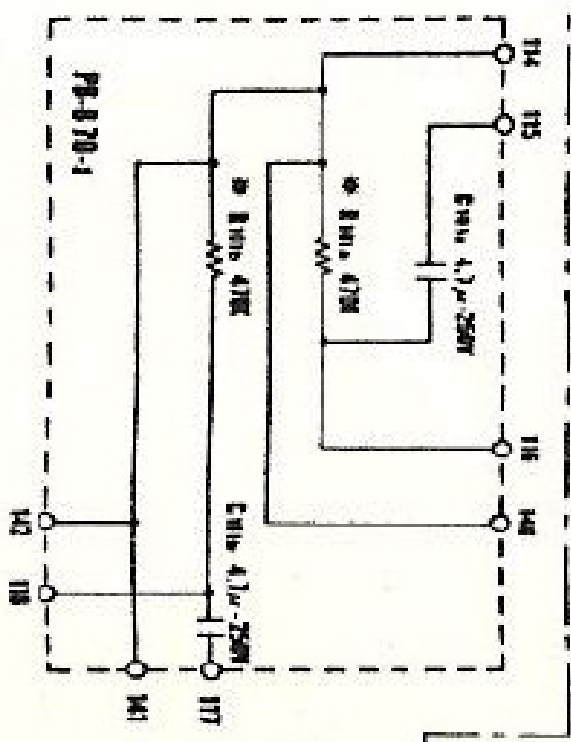
150K



PI-550(F) (POWER SUPPLY BOARD)

Qm1 2SAB53, Qm2 2SC1167
 Qm3 . Qm4 . Qm1 . Qm2 . Qm3 . Qm4 2SC1745
 Qm5 . Qm6 . Qm7 . Qm8 . Qm9 . Qm10 2SAB55
 Qm11 . Qm12 VBT221

#: LOW NOISE RESISTOR
 UNLESS OTHERWISE SPECIFIED ALL
 RESISTOR ARE IN OHM/KWATT ±5%, $10^{-4} \times 10^3$
 ALL CAPACITOR ARE IN FARAD.



C-1000

